

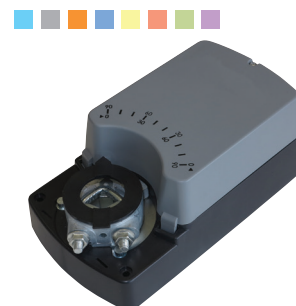
## Damper actuators fast running, 8 Nm

# S8F

### Description

Damper actuator serie S8 to operate and position air dampers in HVAC systems.

- For air dampers up to approx. 1,5 m<sup>2</sup>
- Nominal voltage 24 Vac/dc and 100...240 Vac
- Control: Open-close or 3-point and proportional
- Characteristics: universal spindle clamp for easy direct mounting, shaft dimensions Ø 10 to 20 mm round / □ 10 to 16 mm square, minimum shaft length 50 mm, anti-rotation bracket provided for stability, manual over ride by push button, selectable direction of rotation, adjustable angle of rotation, parallel connection up to 10 actuators.



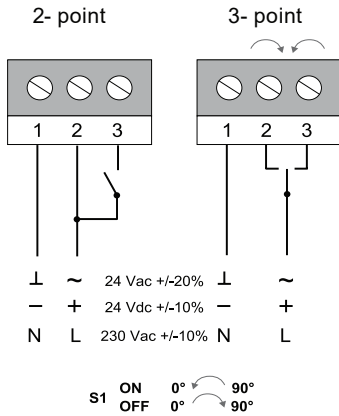
### Technical features

Actuator model		S8AF	S8BF	S8AMF	S8BMF
Damper area	m <sup>2</sup>			1,5	
Nominal torque	Nm			8	
Power supply	V	24 AC/DC	100...240 AC	24 AC/DC	100...240 AC
Frequency	Hz			50/60	
<b>Power consumption</b>					
- in operation	W			12	
- at rest	W	0.5	0.7	0.5	0.7
- for wire sizing	VA			7.0	
Running time	s			8	
Sound power level	max. db (A)			65	
Control signal		2-3 point	2-3 point	0(2)...10 V DC 0(4)...20 mA	0(2)...10 V DC 0(4)...20 mA
Auxiliary switch rating				3 (1.5) A, 230 V AC	
Life Cycle	cicli			60.000	
<b>Rotation angle</b>					
- operating				0-90°	
- limitation				5-85° (steps of 5°)	
Protection class		III	II	III	II
Protection degree				IP54	
Working range °C				-20...+70° C	
Working range RH				5...95% RH, non-condensating	
Storage temperature				-40...+80° C	
Maintenance				free	
Weight	g			<1300	
Standards				CE-conformity, RoHs	
Option				suffix S for models with 2 SPDT auxiliary switches	

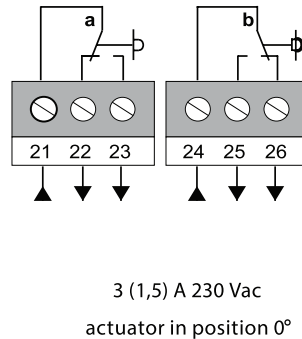


## Electrical wirings for models at 2 / 3 points

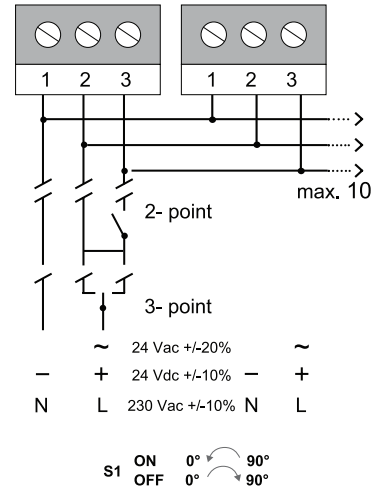
Wiring diagram



Auxiliary switches

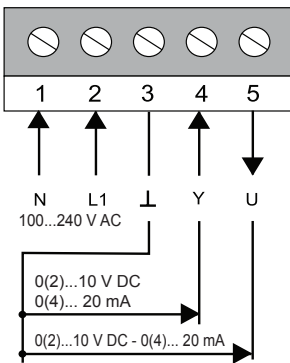


Parallel connections

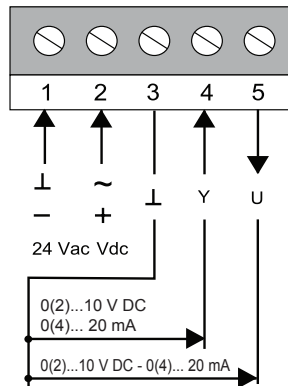


## Electrical wirings for proportional models

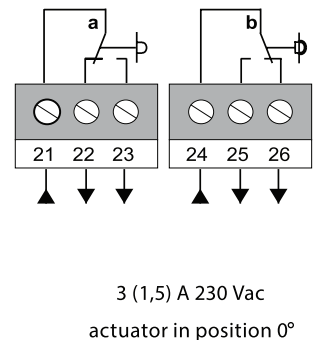
Wiring diagram 230 V AC



Wiring diagram 24 V AC



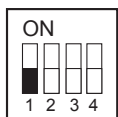
Auxiliary switches



## Settings

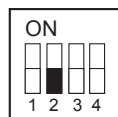
Setting DIP

DIP 1  
Feedback signal



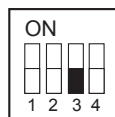
OFF: 0(2)...10 V  
ON: 0(4)...20 mA

DIP 2  
Input signal starting point



OFF: 0...10 V o 0...20 mA  
ON: 2...10 V o 4...20 mA

DIP 3  
Input signal



OFF: 0(2)...10 V  
ON: 0(4)...20 mA

DIP 4  
Rotation direction



OFF: With the increase of the signal,  
the actuator rotate counterclockwise  
ON: With the increase of the signal,  
the actuator rotate clockwise



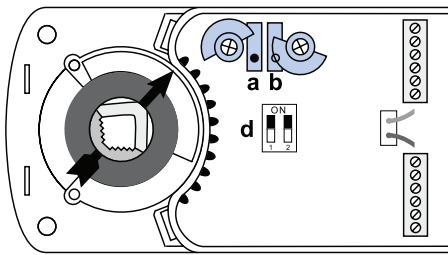
## Auxiliary switch adjustment

Factory setting:

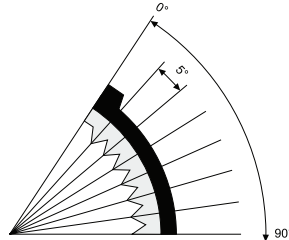
switch a at 10°

switch b at 80°

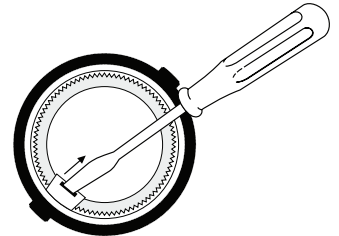
The switching position can be changed manually.



## Angle of rotation limiting



## Adapter release



## ■ Dimensions (mm)

